

Features

- Quad stream support Dual H.264, MPEG-2, MPEG-4 and MJPEG
- Image Quality Monitor and Tamper Detector
- 35x Optical Zoom/12x digital zoom
- Day/Night, WDR and Back Light Compensation
- Electronic Image Stabilization
- 400°/second Preset targeting
- 360° endless panning
- 256 presets/8 programmable cruises
- Two-way audio; Digital I/O
- 8 Privacy Masks
- Analog and Optical Output options



HSD626

IP PTZ dome with D/N and Wide Dynamic Range (outdoor)

Description

The Siquira® HSD626 is an outdoor High Speed PTZ dome camera with exceptional imaging controls to provide excellent pictures even in the most difficult circumstances.

High-Speed Dome

The HSD626 has a 35x autofocus zoom lens with 12x digital zoom. The lens can move in almost any direction offering a wide view without missing any details. Precision 400° per second pan and tilt drive technology offers almost instant preset positioning.

Image Quality Monitor and Tampering Alarm

The HSD626 is fitted with video analytics to check the health of the cameras. This image quality monitor analyzes contrast, exposure, sharpness and noise. Camera tampering analytics detect any changes in the camera's position or field of view. The instant a camera is subject to failure or tampering, an alert can be raised.

Enhanced Video Quality

Modern flat LCD monitors show artifacts with standard PAL or NTSC video. Standard de-interlacing loses half of the vertical resolution. Siquira's sophisticated de-interlacing scheme optimizes vertical resolution resulting in superior video images without artifacts.

Open Streaming Architecture (OSA)

The HSD626 complies with worldwide approved standards for streaming video and is tested with different vendors, making third-party integration easy. Its OSA offers standardized streaming video and remote control. The HSD626 also supports Siquira's unique MX™ protocol.

Multi-stream / Multi-codec

The HSD626 can simultaneously stream dual H.264 with two flexible encoding outputs which can provide MPEG-2, MPEG-4, and MJPEG streams. Each stream is optimized for its specific purpose. The H.264 implementation uses dedicated hardware to improve video quality while lowering bandwidth requirements.

Day/Night, Backlight Compensation, and Wide Dynamic Range

The HSD626 provides automatic day/night functionality, for use in low light situations. Backlight compensation enhances image visibility in difficult lighting conditions. Wide Dynamic Range solves the problem of overlit images by combining the better of two pictures with different light references.

Audio, I/O Contacts and Analog Output

The HSD626 combines streaming video with duplex audio, I/O contacts over IP, and balanced audio inputs/outputs suitable for all industrial audio systems. With its analog output, the hybrid HSD626 solution can provide local video for a public view monitor or local DVR.

Image Stabilizer

The HSD626 has a built-in image stabilizer to prevent vibrations from disrupting a camera view or footage, such as those caused by wind in pole-mount installations.

Fiber Interface Accessory

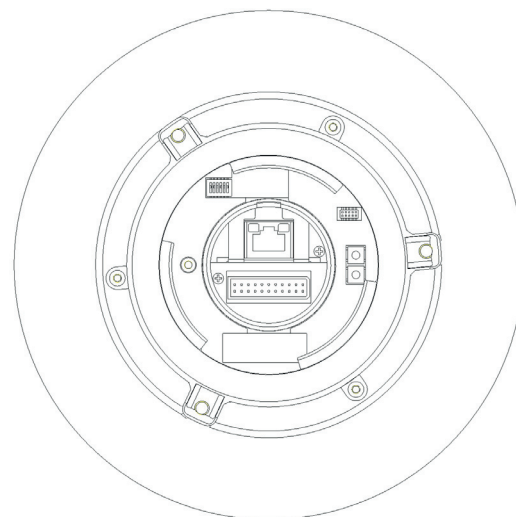
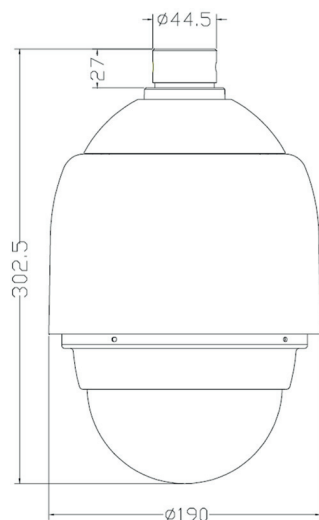
A fiber option is available for direct connection of fiber to the dome via a flexible SFP interface. The XSN™ range of SFP modules, with options for both single mode and multimode are available. The SFP interface is built into the dome itself so a wide range of mounting options are available.



Technical Specifications

HSD626

IP PTZ dome with D/N and WDR (outdoor)



Camera

Image sensor	1/4" CCD	
Optical zoom	35x	
Digital zoom	12x	
Resolution	NTSC	PAL
Effective pixels	410k	470k
Horizontal resolution	540 TVL	540 TVL
D1	720x480	720x576
1/2D1	352x480	352x576
2CIF	720x240	720x288
CIF	352x240	352x288
QCIF	176x120	176x144
Electronic shutter	1~1/30 k s	
Video output	1.0 Vpp/75Ω, BNC	
S/N ratio	>50 dB (AGC off)	
Minimum illumination	0.1 lux, 0.01 lux (B/W)	
Focal length	3.4~119mm	
Focus mode	Auto/ manual	
White balance	Auto/ manual	
Iris control	Auto/ manual	
AGC control	Auto/ manual	
Backlight compensation	On/ Off	

Functions

Motion detection	On/ Off
Day/ Night (IR-cut filter)	On/ Off
Digital slow shutter	On/ Off
Wide Dynamic Range	On/ Off (Ratio/Shutter/Iris levels 0-128)
Stabilizer	On/ Off (5hz/10Hz)
Privacy masks	8 (black/white/mosaic)
PTZ coordinate data	Via API or Pelco-D (set/get)
Directional OSD	Compass direction, Azimuth, Elevation

Technical Specifications

HSD626

IP PTZ dome with D/N and WDR (outdoor)

Network

Interface Options	RJ-45 (factory Installed) or SFP Cage (accessory Included); SFP modules not included
Protocol	H.264 BP, MPEG-4 ES, MPEG-2, RTP, UDP, IP, DHCP, IGMPv2, RTSP, (S)NTP, MX/IP, HTTP, SNMP v2, DiffServ, SAP, UPnP

Video

Number of video streams	2x H.264, 2x MPEG-4, MPEG-2, and/or MJPEG
Frame rate	1 to 30 fps
Compression algorithm	H.264 BP (ISO/IEC 14496-10), MPEG-4 SP Layer 5 (ISO/IEC 14496-2), MPEG-2 (ISO/IEC 13818-2), MJPEG
Type of streaming	UDP/IP (multi- and/or unicast) TCP/IP (RTP over RTSP)
Number of output streams	Up to 20
Video Motion Detection	Yes (user-defined masking)
Encoding latency	<130 ms typ
GOP structure	I, IP (selectable/user profiles)
Quad streaming	2x D1@30fps H264 + D1@30fps MPEG-4 + CIF@1fps MJPEG
Output data rate	up to 20 Mb/s (CBR or VBR selectable/user profiles)
Video settings	User profiles, contrast, brightness, color saturation, hue, sharpness
Video overlay	3x Text lines (configurable: position, color, border/outline color, font size), 1x image in BMP, GIF, or JPEG format (configurable: position, scaling)

Audio

Two-way audio	Line out, Line in/mic in (jack Ø3.5 mm)
---------------	---

Pan/Tilt

Pan travel	360° continuous
Tilt travel	-10° ~ 190°
Preset speed	400°/s
Manual speed	0.5° ~ 90°/s
Presets	256 presets
Preset accuracy	+/- 0.100°
Cruise	8
Sequence	8
Auto pan	4
Proportional pan & tilt	On/ Off
Resume after power loss	Yes
Zone title	16
Home function	Preset, Sequence, Auto pan, Cruise
Auto flip	Digital/ Mechanical/ Off

Contact Closures

Inputs	8
Outputs	1
Reactions	Preset, Sequence, Auto pan, Cruise

Powering

Power consumption	73W
Power	19.2 - 28.4 VAC (24VAC nominal +/- 20%)

Technical Specifications

HSD626

IP PTZ dome with D/N and WDR (outdoor)

Environmental

Operating temperature	Continuous -45° C to +50° C (-49° F to +122° F) 60° C. maximum
Ingress protection	IP66

Mechanical

Dimension (h x w x d)	Ø190 x 302.5 mm (Ø7.5 x 11.9 in.)
Weight	2.6 kg (5.7 lbs.)
Color	RAL-9003 (Signal White)

Materials

Housing	Aluminum
Sun shield	ABS/Polycarbonate blend
Bubble	Optically Clear Polycarbonate
Impact rating	IK10

Ordering Information and Accessories

Models	Description
Siquira HSD626 /N	IP high-speed PTZ Dome Camera, Wide Dynamic Range, day/night, IP66, incl. sunshield
Siquira HSD626 /P	IP high-speed PTZ Dome Camera, Wide Dynamic Range, day/night, IP66, incl. sunshield
PA03 /EU	Power Supply, 230 VAC to 24VAC, Tinned Leads, 3.0A, Outdoor (IP66)
PA03 /US	Power Supply, 110 VAC to 24VAC, Tinned Leads, 3.0A, Outdoor (IP66)
WM01A	Mini wall mount for HD-series
WM02S*	Tube adapter for outdoor MD/MSD/HD/HSD series PTZ cameras
WM03A	Gooseneck tube
WM05	Corner plate, compatible with WM01A and WM03A
WM06	Wall box mounting, compatible with WM01A and WM03A
PM01	Pole thin direct mounting, compatible with WM01A and WM03A
PM02	Pole wide direct mounting, compatible with WM01A and WM03A
PM03	Pole thin box mounting, compatible with WM01A and WM03A
PM04	Pole wide box mounting, compatible with WM01A and WM03A
PM05	Swanneck tube
PTM01	1-1/2" pipe thread adaptor
XSNet SFP MM/850	2-fiber multimode SFP (100/1000Base-FX)
XSNet SFP MM/1310	2-fiber multimode SFP (100 Mb only)
XSNet SFP SM/10	Single-mode SFP, dual-LC connector
XSNet SFP SM/BidiA	One fiber, single-mode SFP, SC connector
XSNet SFP SM/BidiB	One fiber, single-mode SFP, SC connector
XSNet SFP SM/60	Long distance single-mode SFP, dual-LC
XSNet SFP SM/CWDM	Coarse WDM SFP, dual LC connector

*WM02S is included with each outdoor MD/MSD/HD/HSD camera.



The quality management system utilized in the development, production, sales, and support of this product is ISO 9001:2008 certified by LRQA.
© TKH Security Solutions Version: January 2012 V1.0 (First Edition) – Subject to modification

