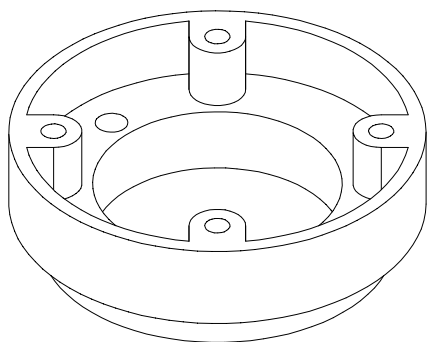


Color #  
Replace "X" in Part Number with

- G Green
- B Black
- Y Yellow
- S Silver



INFORMATION ON THIS DOCUMENT IS PROPRIETARY TO POLARA AND SHALL NOT BE USED, COPIED, REPRODUCED OR DISCLOSED IN WHOLE OR IN PART WITHOUT WRITTEN CONSENT OF POLARA.

09-13-01	A	21776	BB							
Revised - 09/13/01										
REV. DATE	LTR	E.C.O. NO.	BY	CKR	ENG	DSN	MFG	QA	FNL	

**POLARA ENGINEERING INC.**  
 4115 W. ARTESIA AVE. FULLERTON, CA. 92833

TOLERANCES: .XXX ±.005 .XX ±.02 (EXCEPT AS NOTED) SCALE 1:1

DRAWN BY BB	CKR. CLM	ENG. MGR. RVC	MFG. MGR. FB	SHEET 1 OF 1
DATE 05-02-00	DSN. ENG. WR	Q.A. APP. RVC	FINAL APP. JM <sub>c</sub>	USE

TITLE: PELCO ADAPTER DWG. NO.: PA-1X