

SPECIFICATIONS

This button is a highly vandal resistant button with essentially no moving parts. It is pressure activated, requiring less than 3 lbs push force. When the switch activates, you hear a two tone beep and the LED flashes.

Body Material: Aluminum, Powder Coated

Colors: Black, Green & Yellow

To specify color, add B for black, G for green, or Y for yellow in "X" position in part number.

Button Material: 316 Stainless Steel

Piezo Driven Solid State Switch:

Operating Force: 3 lbs. Maximum

Operating Temperature: -30°F to 140°F (-34°C to 60°C)

Operating Voltage: 15-36V DC or 12-28V AC

On Resistance, 100 Typical.

Operating Life: Greater than 100 million operations.

Switch Hold Time: 6 seconds Minimum

Operating Standby Current: 10µA typical (equivalent to 2 MΩ at 20V)

LED:

Operating Mode: Approx. 0.025 sec. flash each time button is pressed.

Luminous Intensity: Greater than 1200 mcd (ultra bright red).

Viewing Angle: 160°

Beeper:

Sounds simultaneously with LED flash.

Different tones for press and release, 2.3 KHz & 2.6 KHz.

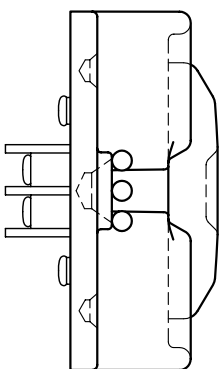
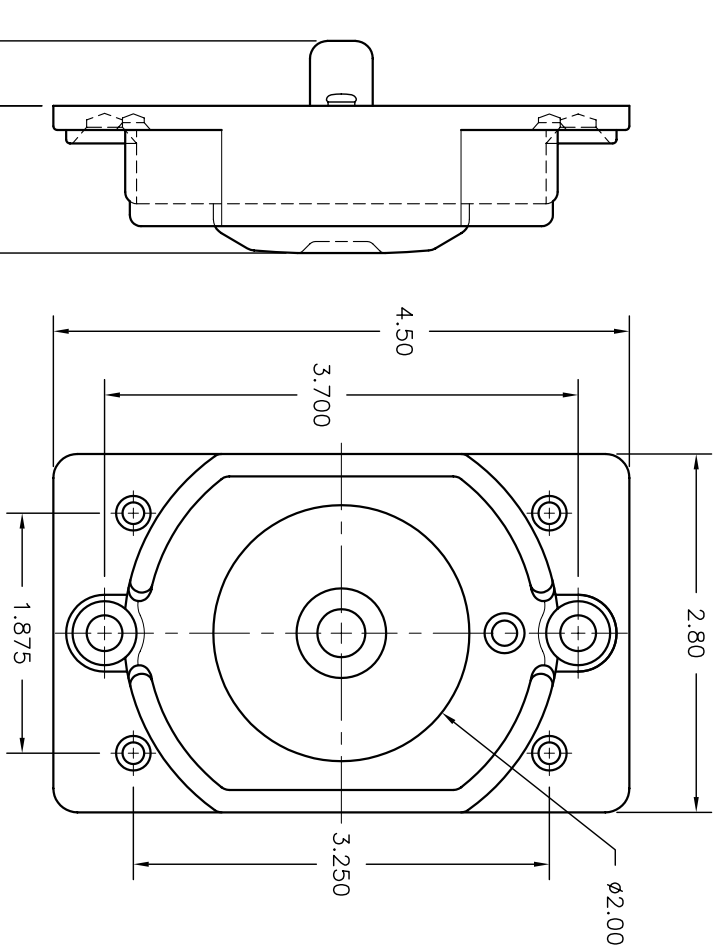
Beeper uses power from existing switch wires.

-YY: If not specified, no holes drilled

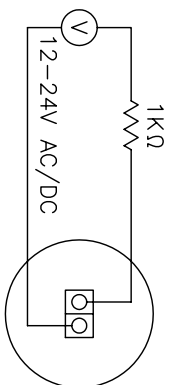
-2H comes with two center holes drilled

-4H comes with four corner holes drilled

**FITS PELCO SE-2000 RECTANGULAR SERIES**



Suggested Test Circuit



INFORMATION ON THIS DOCUMENT IS NOT BE TAKEN TO BE AN APPROVAL OR DISCLOSED IN WHOLE OR IN PART WITHOUT WRITTEN CONSENT OF POLARA

Revised		- 05/26/05														
REV. DATE	LTR	E.C.O. NO.	BY	CKR	ENG	DSN	MFG	QA	FNL							
<p><b>POLARA ENGINEERING INC.</b>  <b>4115 W. ARTESIA AVE. FULLERTON, CA. 92833</b></p> <p>TOLERANCES: .XXX ±.005, .XX ±.02 (EXCEPT AS NOTED)</p> <p>SCALE 1:1.5</p>										DRAWN BY		CKR.	ENG. MGR.	MFG. MGR.	SHEET	OF
DATE										01-20-05	DSN. ENG.	Q.A. APP.	FINAL APP.	USE		
TITLE										REES STYLE BULLDOG BUTTON			DWG. NO.			
WITH MOMENTARY LED										RBDLM2-X-YY						