



# DATA SHEET

## SSS-87



### Solid State Loadswitch:

#### **Description:**

The PDC SSS-87 Loadswitch series is a tri-pack, modular, solid state relay designed specifically to meet NEMA specifications, as well as California and New York "Model 200" specifications. Each loadswitch contains 3 individually replaceable modules that are enclosed in a dust resistant, metal enclosure providing mechanical protection and excellent heat sinking for the modules. The modules are easily accessible with the use of a screwdriver.

#### **Installation:**

The switchpac intermates with any standard NEMA loadbay or with the model 332 cabinet output file. It is easily installed or removed by grasping the handle. Connector P1 pin outs are shown in FIG 1. The connector mates with a Beau S-5412 or equal.

PIN	FUNCTION	P1
		(P1 as viewed from the outside of the product looking directly at the connector)
1	+115VAC, 60 Hz	
2	Chassis Ground	
3	A Output (Red, Don't Walk)	
4	Not Assigned	
5	B Output (Yellow)	
6	A Input (Red, Don't Walk)	
7	C Output (Green, Walk)	
8	B Input (Yellow)	
9	+24 VDC	
10	C Input (Green, Walk)	
11	Not Assigned	
12	Not Assigned	

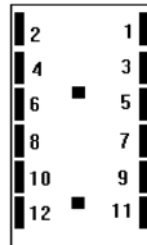


Fig 1.

#### **General Characteristics:**

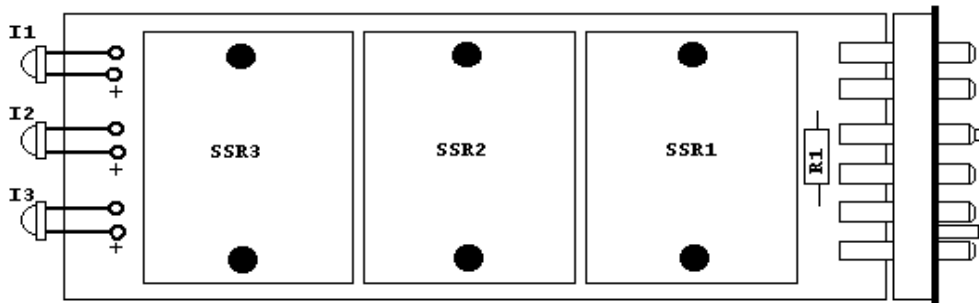
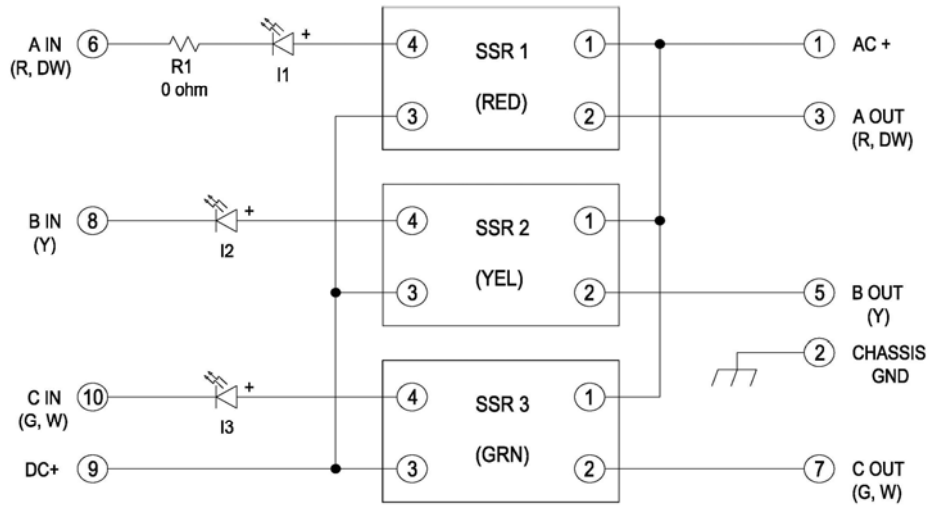
Model -----	SSS-87 Series	
Uses Module # -----	SSR-87	
Meets Specs for -----	Nema, Caltrans & NY (Model 200)	
Load -----	voltage.....	120 VAC
	current (max).....	15.0 Amps (Tungsten Filament Load)
Control Signal -----	voltage.....	+24VDC
	current .....	20.0 mA (max)
Switching -----	1st alternation after.....	±10 Degrees of line voltage at the zero crossover point.
	signal is applied.	
	Succeeding alterations.....	±5 Degrees of line voltage at the zero crossover point.
	Succeeding alterations.....	±5 Degrees of line voltage at the zero crossover point.
Off State -----	dv/dt.....	100 V per microsecond
	line to load resistance.....	15 K Ohms Min
Isolation -----	leakage current.....	less than 20 mA
	Voltage.....	2500 VDC Min
Surge Current -----	resistance.....	10 Meg Ohms Min
	one cycle.....	175 Amps RMS Min
	one second.....	40 Amps RMS Min
Life operations -----	30 million Min	
Mechanical -----	length.....	8.40 inches
	width.....	1.74 inches
	height.....	4.185 inches
	weight.....	1.135 LBS



# DATA SHEET

## SSS-87

**Guarantee:** The SSS-87 series is fully guaranteed against all failures due to manufacturing defects for two years.



Item	Qty	Description	PDC P/N	MFG	MFG P/N	REF DES
1	1	Label s/n	OOO43	PDC	OOO43	
2	3	Solid State Relay, SSR-87	SSR-87	PDC	SSR-87	SSR1,2,3
3	1	Chassis	OO204	PDC	OO204	
4	1	Cover	OO384	PDC	OO384	
5	1	Label, front panel	OO345-1	PDC	OO345-1	
6	1	P.C. Board fab.	OO227	PDC	OO227	
7	6	Screw, 8-32 x 3/8 brass	HOO36			
8	6	screw, 6-32 x 5/16	H0037			
9	6	Nut, keps 6-32	H0038			
10	1	Spacer	H0039			
11	8	Screw, 6-32 x 3/8	H0041			
12	1	Connector 12 pin	00601	PDC	00601	
13	3	L.E.D. Clear Red	LDOOO 4			I1,2,3
14	1	RESISTOR, 0 OHM 1/4W	R0052			

SSS-87 Manual Rev C