

SPECIFICATIONS

This button is a highly vandal resistant button with essentially no moving parts. It is pressure activated, requiring less than 3 lbs push force. When the switch activates, you hear a two tone beep and the LED flashes.

Body Material: Aluminum, Powder Coated

Colors: Black, Green & Yellow

To specify color, add B for black, G for green, or Y for yellow in "X" position in part number.

Button Material: 316 Stainless Steel

Piezo Driven Solid State Switch:

Operating Force: 3 lbs. Maximum

Operating Temperature: -30°F to 140°F (-34°C to 60°C)

Operating Voltage: 15-36V DC or 12-28V AC

On Resistance, 10Ω Typical.

Operating Life: Greater than 100 million operations.

Switch Hold Time: 6 seconds Minimum

Operating Standby Current: 10µA typical (equivalent to 2 MΩ at 20V)

LED:

Operating Mode: Approx. 0.025 sec. flash each time button is pressed.

Luminous Intensity: Greater than 1200 mcd (ultra bright red).

Viewing Angle: 160°

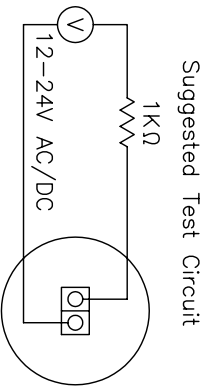
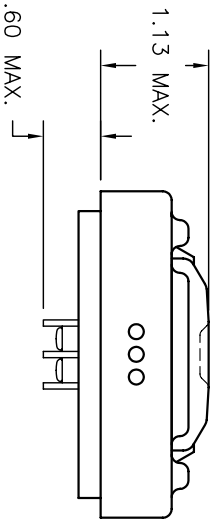
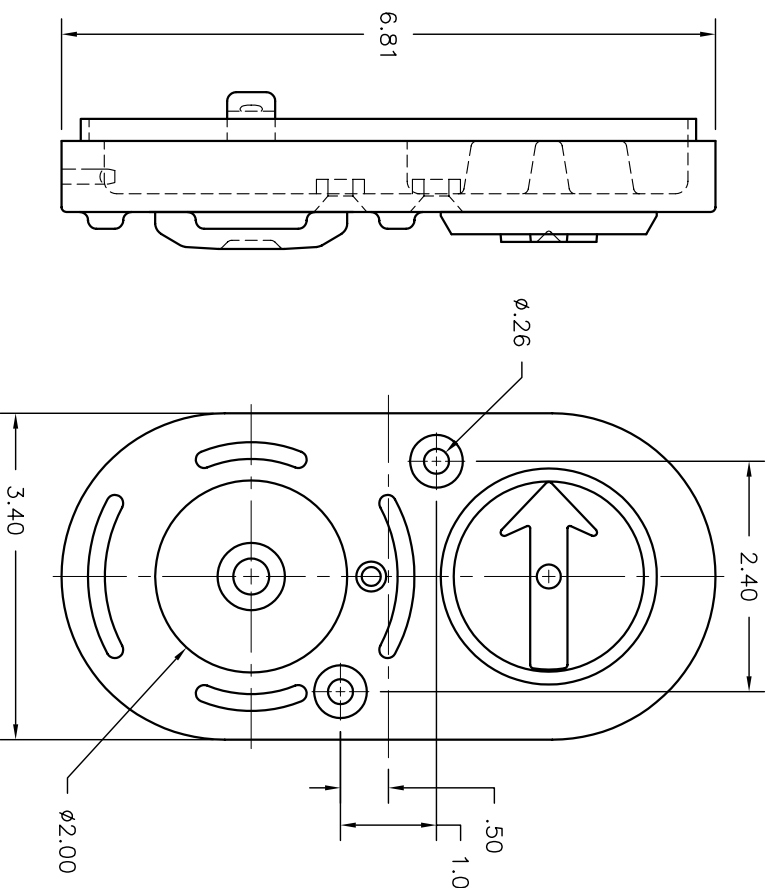
Beeper:

Sounds simultaneously with LED flash.

Different tones for press and release, 2.3 KHz & 2.6 KHz.

Beeper uses power from existing switch wires.

FITS PELCO SE-2039/SE-0267 BODY.



INFORMATION ON THIS DOCUMENT IS NOT BE TAKEN TO BE AN OFFICIAL POLARA POSITION OR RECOMMENDATION. IT IS NOT TO BE USED IN WHOLE OR IN PART WITHOUT WRITTEN CONSENT OF POLARA.

REV. DATE	LTR	E.C.O. NO.	BY	CKR	ENG	DSN	MFG	QA	FINL
Revised	-	05/26/05							

POLARA ENGINEERING INC.
 4115 W. ARTESIA AVE. FULLERTON, CA. 92833

TOLERANCES: .XXX ±.005 .XX ±.02 (EXCEPT AS NOTED)

DRAWN BY	CKR.	ENG. MGR.	MFG. MGR.	SHEET	OF
DATE	DSN. ENG.	Q.A. APP.	FINAL APP.	1	1
01-20-05					

TITLE: OVAL BULLDOG WITH MOMENTARY LED
 DWG. NO.: OBDLM2-X