



EAGLE TRAFFIC CONTROL SYSTEMS

A DIVISION OF  **BROWN**
Traffic Products, Inc.

SA Polycarbonate Vehicle Traffic Signal

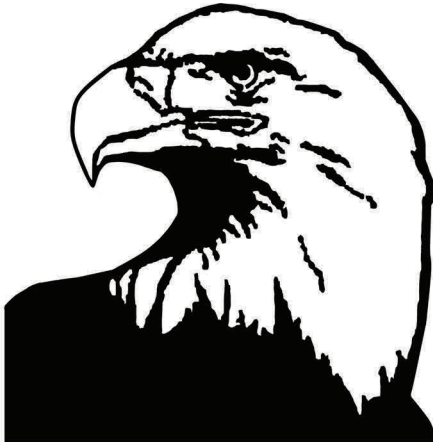
Description

The standard signal (SA Versions) design provides minimum weight but maximum rigidity and strength. The housing, door and visor are injection molded of ultraviolet stabilized, pre-colored opaque polycarbonate. It meets or exceeds ITE specifications. The standard signal is composed of three injection molded polycarbonate body sections containing door and visor. Coloring is molded in all the way through, therefore, there is no peeling, no corrosion, and scratches will not show.



Features

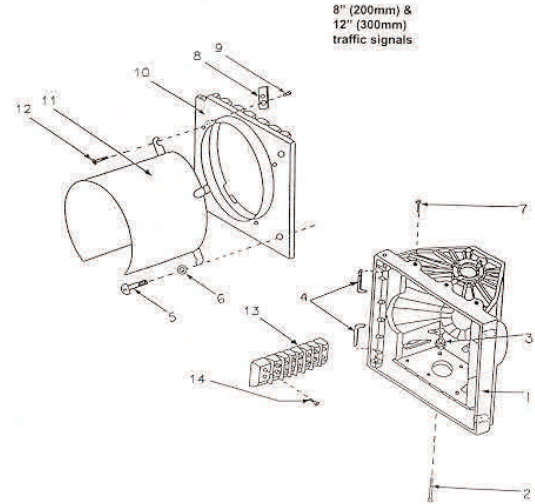
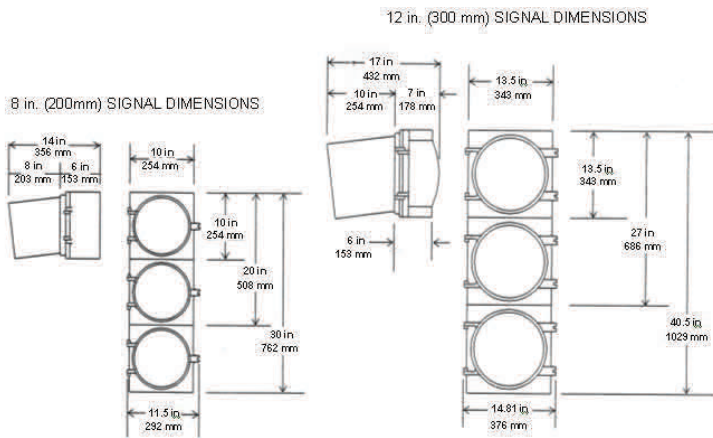
- **Housing** – One piece unit with serrations in 5° increments at each end. Each housing has provisions for mounting two terminal blocks and attaching backplates. Housings may be fastened together to make multi-section signals. The 8" and 12" housings can be intermixed to form combination signals.
- **LED Modules** - conform to ITE specifications. The standard lens is poly carbonate and capable of withstanding illumination by standard traffic signal positive positioning. Locking is achieved through the use of serrated brackets, mast arm or span wire fittings.
- **Door** – One piece polycarbonate unit equipped with stainless steel hinge pins. Stainless steel captive eyebolts and wingnut to hold the door against the housing.
- **Visor** – The removable twist-on visor is secured to the door with stainless steel hardware. Cut-away, tunnel, and full circle visors are available. Poly and aluminum visors are interchangeable.
- **Gaskets** - A neoprene gasket between the door and the housing assures the weather tight quality of the unit.
- **Terminal Block** – All terminal blocks are composed of a sturdy polycarbonate weather resistant casing and stainless steel hardware. Terminal block is standardly installed in the yellow section of signal (second from top).
- **Hardware** – Stainless steel material inside and outside



EAGLE TRAFFIC CONTROL SYSTEMS

A DIVISION OF **BROWN**
Traffic Products, Inc.

SA Polycarbonate Vehicle Traffic Signal



TRAFFIC SIGNAL REPLACEMENTS

Ref No.	Description	Part # 8" (200 mm)	Part# 12" (300 mm)
1	Signal Housing Green	KB19113 (3)	KB4818 (3)
	Signal Housing Yellow	KB19111 (3)	KB8416 (3)
	Signal Housing Black	KB19112 (3)	KB4817 (3)
2	Screw (10-24 hex screw)	0141716	0141716
3	Flange nut	0150715	0150715
4	Door hinge pin	K1196 (6)	K1196 (6)
5	Thumbscrew, SS	0141212 (6)	0141212 (6)
6	Thumbscrew washer, SS	0155924 (6)	0155924 (6)
7	Hole plug	PHP16 (4)	PHP16 (4)
8	Lens clip, generic	A84436155 (12)	A84436155 (12)
9	Lens clip screw	0133029 (12)	0133029 (12)
10	Signal door, green	PDM2029 (3)	PDM2032 (3)
	Signal door, yellow	PDM2028 (3)	PDM2031 (3)
	Signal door, red	PDM2027 (3)	PDM2030 (3)
11	Visor - tunnel	A700119 XX (3)	A700120 XX (3)
	Visor - cutaway	A700468 XX (3)	A700469 XX (3)
12	Visor Screw (10-32 x 3/8")	135021 (12)	135021 (12)
13	Terminal block, 6 pos. spade Type	PCT100TX (1)	PCT100TX (1)
14	Terminal block screw, SS	A702121 (2)	A702121 (2)

WEIGHTS

Piece	12" (300 mm)
Single Section	7.5 lbs (3.4 kg)
Housing Only	5.3 lbs (2.41 kg)
Door Only	1.5 lbs (0.68 kg)
Visor Only	1.4 lbs (0.64 kg)

Eagle signals and accessories are built with the highest standards in quality and manufacturing. With a long standing history of technological innovations, well renowned customer service, and high quality products and services, Eagle is the leader in traffic technology products and solutions. For more information on our product line see our website at www.browntraffic.com