

EAGLE TRAFFIC CONTROL SYSTEMS

A DIVISION OF  **BROWN**
Traffic Products, Inc.

SG Polycarbonate Vehicle Traffic Signal

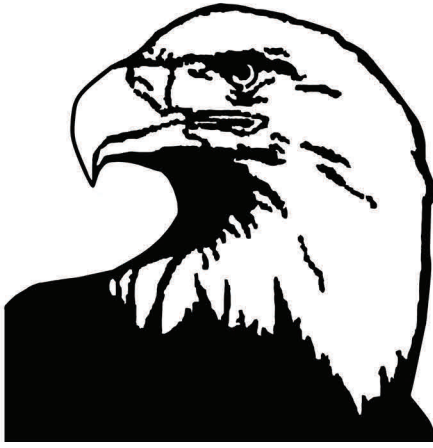
Description

The standard signal is composed of three injection molded polycarbonate LED ready body sections containing the door and visor. The basic construction design provides minimum weight but maximum rigidity and strength. The housing, door and visor are injection molded of ultraviolet stabilized, pre-colored opaque polycarbonate. It meets or exceeds ITE spec-



Features

- **Housing** – One piece unit with serrations in 5° increments at each end. Each housing has provisions for mounting two terminal blocks and attaching backplates. Housings may be fastened together to make multi-section signals. The 8" and 12" housings can be intermixed to form combination signals.
- **LED Modules** - conform to ITE specifications. The standard lens is poly carbonate and capable of withstanding illumination by standard traffic signal positive positioning. Locking is achieved through the use of serrated brackets, mast arm or span wire fittings.
- **Door** – One piece polycarbonate unit equipped with stainless steel hinge pins. Stainless steel captive eyebolts and wingnut to hold the door against the housing.
- **Visor** – The removable twist-on visor is secured to the door with stainless steel hardware. Cut-away, tunnel, and full circle visors are available. Poly and aluminum visors are interchangeable.
- **Gaskets** - A neoprene gasket between the door and the housing assures the weather tight quality of the unit.
- **Terminal Block** – All terminal blocks are composed of a sturdy polycarbonate weather resistant casing and stainless steel hardware. Terminal block is standardly installed in the yellow section of signal (second from top).
- **Hardware** – Stainless steel material inside and outside

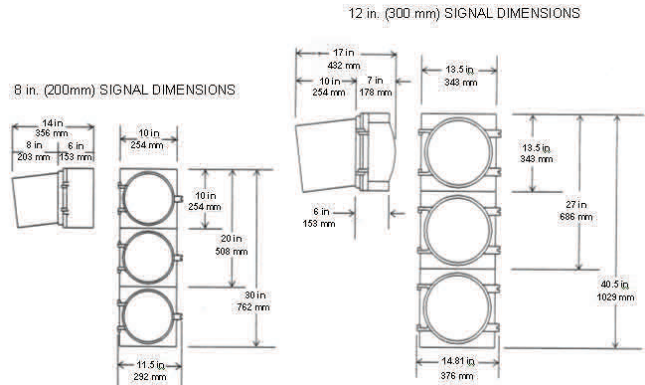


EAGLE TRAFFIC CONTROL SYSTEMS

A DIVISION OF **BROWN**
Traffic Products, Inc.

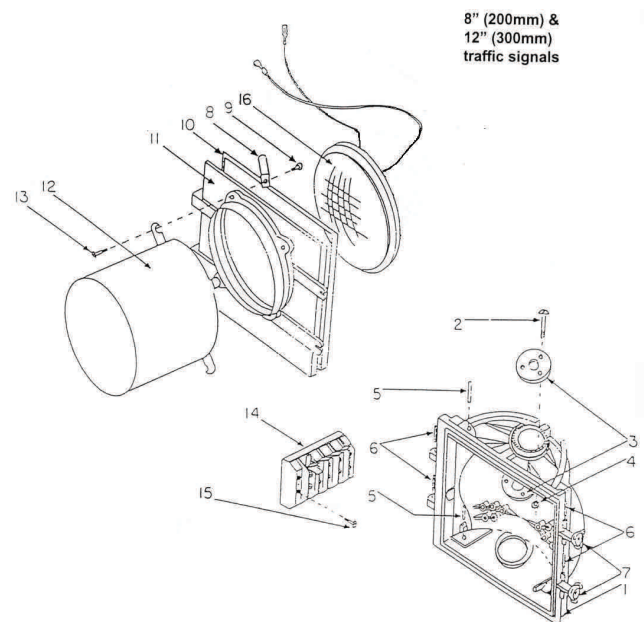
SG Polycarbonate Vehicle Traffic Signal

Ref No.	Description	Part # 12" (300 mm)
1	Signal Housing Green	A70022901
	Signal Housing Yellow	A70022902
	Signal Housing Black	A70022903
2	Carriage Bolt (1/4 - 20 x 1 3/4")	A701101SS
3	Clamping Washer	M50417
4	Hex Nut (1/4 - 20)	M30221
5	Type 2 Grove Pin, SS (12" - 3/16 x 1 3/16")	A702181
6	Spiral Pin, SS (3/16" x 1")	A144006
7	Wingnut Eyebolt Assembly	A844263
8	Lens clip, generic	A844361SS
9	Lens clip, screw, SS (10- x3/8")	135021
10	Door gasket	A701630
11	Signal door Green	A70023001
	Signal door Yellow	A70023002
	Signal door Black	A70023003
12	Visor - tunnel Green	A70012001
	Visor - tunnel Yellow	A70012002
	Visor - tunnel Black	A70012003
	Visor - cap Green	A70046901
	Visor - cap Yellow	A70046902
	Visor - cap Black	A70046903
	Visor - full circle Green	A85231901
	Visor - full circle Yellow	A85231902
	Visor - full circle Black	A85231903
13	Visor screw (10 - 32 x 3/8")	135021
14	Terminal block, 4 pos. spade type	A182944TX
	Terminal block, 6 pos. spade type	PCT100TX
15	Machine screw, SS (6 - 32 x 3/4")	A16257312



WEIGHTS

Piece	12" (300 mm)
Single Section	7.5 lbs (3.4 kg)
Housing Only	5.3 lbs (2.41 kg)
Door Only	1.5 lbs (0.68 kg)
Visor Only	1.4 lbs (0.64 kg)



Eagle signals and accessories are built with the highest standards in quality and manufacturing. With a long standing history of technological innovations, well renowned customer service, and high quality products and services, Eagle is the leader in traffic technology products and solutions. For more information on our product line see our website at www.browntraffic.com